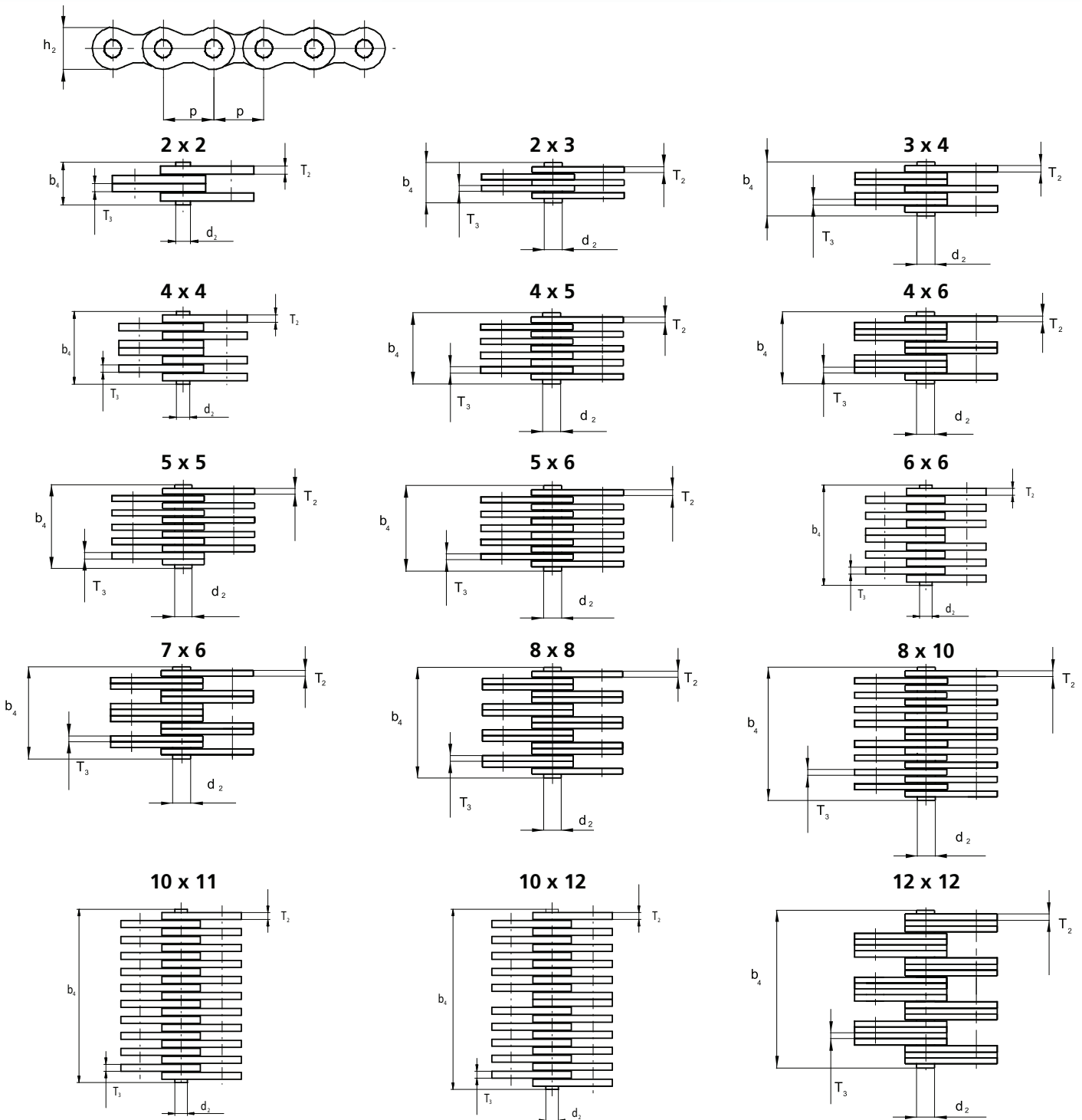




# LEAF CHAINS

Light series LL according to ČZ Standard

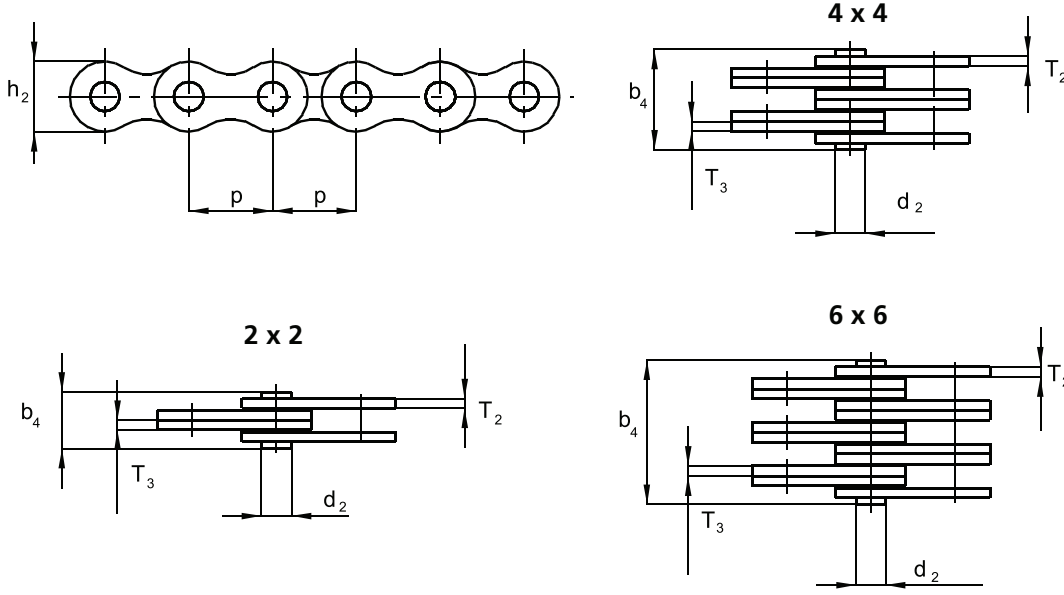


TRADE MARK ČZ	NOMINAL PITCH	PLATE COMBINATION	PIN DIAMETER	PIN LENGHT	INNER PLATE WIDTH	OUTER PLATE THICKNESS	CONNECT. PLATE THICKNESS	WEIGHT	BREAKING LOAD
	p		d2 max.	b4 max.	h2 max.	T2	T3	q	FB min.
	mm		mm	mm	mm	mm	mm	kg/m	N
LL 0823	12,7	2 x 3	4,45	10,45	10,90	1,40	1,50	0,51	18 000
LL 0834	12,7	3 x 4	4,45	13,65	10,90	1,40	1,50	0,66	27 000
LL 0844	12,7	4 x 4	4,45	15,20	10,90	1,40	1,50	0,74	36 000
LL 0845	12,7	4 x 5	4,45	16,70	10,90	1,40	1,50	0,87	36 000
LL 0846	12,7	4 x 6	4,45	18,20	10,90	1,40	1,50	0,92	45 000
LL 0856	12,7	5 x 6	4,45	20,05	10,90	1,40	1,50	1,02	57 000
LL 0866	12,7	6 x 6	4,45	21,60	10,90	1,40	1,50	1,10	64 000
LL 0888	12,7	8 x 8	4,45	28,00	10,90	1,40	1,50	1,47	72 000
LL 1023	15,875	2 x 3	5,08	11,40	12,90	1,60	1,60	0,58	24 600
LL 1034	15,875	3 x 4	5,08	14,90	12,90	1,60	1,60	0,80	37 000
LL 1044	15,875	4 x 4	5,08	16,20	12,90	1,60	1,60	0,93	49 500
LL 1045	15,875	4 x 5	5,08	18,40	12,90	1,60	1,60	1,22	49 500
LL 1055	15,875	5 x 5	5,08	20,10	12,90	1,60	1,60	1,16	49 500
LL 1056	15,875	5 x 6	5,08	21,90	12,90	1,60	1,60	1,25	62 000
LL 1066	15,875	6 x 6	5,08	23,60	12,90	1,60	1,60	1,63	74 000
LL 1076	15,875	7 x 6	5,08	25,30	12,90	1,60	1,60	1,40	80 400
LL 1088	15,875	8 x 8	5,08	26,80	12,90	1,60	1,60	1,85	99 000
LL 1223	19,05	2 x 3	5,72	12,35	15,10	1,80	1,80	0,79	31 000
LL 1234	19,05	3 x 4	5,72	16,15	15,10	1,80	1,80	1,09	46 500
LL 1244	19,05	4 x 4	5,72	18,00	15,10	1,80	1,80	1,29	62 000
LL 1245	19,05	4 x 5	5,72	19,85	15,10	1,80	1,80	1,39	62 000
LL 1246	19,05	4 x 6	5,72	21,50	15,10	1,80	1,80	1,54	62 000
LL 1256	19,05	5 x 6	5,72	23,75	15,10	1,80	1,80	1,70	77 500
LL 1266	19,05	6 x 6	5,72	25,60	15,10	1,80	1,80	1,85	93 000
LL 1288	19,05	8 x 8	5,72	33,20	15,10	1,80	1,80	2,46	124 000
LL 12-8-10	19,05	8 x 10	5,72	37,40	15,10	1,80	1,80	2,79	130 000
LL 12-10-12	19,05	10 x 12	5,72	44,30	15,10	1,80	1,80	3,36	150 000
LL 12-12-12	19,05	12 x 12	5,72	47,65	15,10	1,80	1,80	3,66	120 000
LL 1622 spec.	25,4	2 x 2	8,28	17,20	19,40	3,12	3,00	1,38	70 000
LL 1623	25,4	2 x 3	8,28	20,90	19,40	3,12	3,00	1,75	79 000
LL 1634	25,4	3 x 4	8,28	27,20	19,40	3,12	3,00	2,42	111 000
LL 1644	25,4	4 x 4	8,28	30,20	19,40	3,12	3,00	2,75	127 000
LL 1645	25,4	4 x 5	8,28	33,50	19,40	3,12	3,00	3,05	127 000
LL 1646	25,4	4 x 6	8,28	36,60	19,40	3,12	3,00	3,40	151 000
LL 1656	25,4	5 x 6	8,28	39,80	19,40	3,12	3,00	3,75	175 000
LL 1676	25,4	7 x 6	8,28	46,20	19,40	3,12	3,00	4,40	205 400
LL 1688	25,4	8 x 8	8,28	55,60	19,40	3,12	3,00	5,40	250 000
LL 16-10-11	25,4	10 x 11	8,28	71,80	19,40	3,12	3,00	7,10	300 000

Combining of plates is possible according to customer's request

# LEAF CHAINS

Light series LL according to standard ISO, DIN



ISO DIN	NOMINAL PITCH	PLATE COMBINATION	PIN DIAMETER	PIN LENGHT	INNER PLATE WIDTH	OUTER PLATE THICKNESS	CONNECT. PLATE THICKNESS	WEIGHT	BREAKING LOAD
	p		d2 max.	b4 max.	h2 max.	T2	T3	q	FB min.
	mm		mm	mm	mm	mm	mm	kg/m	N
LL 0822	12,7	2 x 2	4,45	8,80	10,90	1,40	1,50	0,40	18 000
LL 0844	12,7	4 x 4	4,45	15,20	10,90	1,40	1,50	0,74	36 000
LL 0866	12,7	6 x 6	4,45	21,60	10,90	1,40	1,50	1,10	64 000
LL 1022	15,875	2 x 2	5,08	9,60	12,90	1,60	1,60	0,47	24 600
LL 1044	15,875	4 x 4	5,08	16,20	12,90	1,60	1,60	0,92	49 500
LL 1066	15,875	6 x 6	5,08	23,60	12,90	1,60	1,60	1,63	74 000
LL 1222	19,05	2 x 2	5,72	10,40	15,10	1,80	1,80	0,63	31 000
LL 1244	19,05	4 x 4	5,72	18,00	15,10	1,80	1,80	1,29	62 000
LL 1266	19,05	6 x 6	5,72	25,60	15,10	1,80	1,80	1,85	93 000
LL 1622	25,4	2 x 2	8,28	17,80	19,40	3,12	3,00	1,42	63 000
LL 1644	25,4	4 x 4	8,28	30,20	19,40	3,12	3,00	2,75	127 000
LL 1666	25,4	6 x 6	8,28	42,90	19,40	3,12	3,00	4,08	195 000