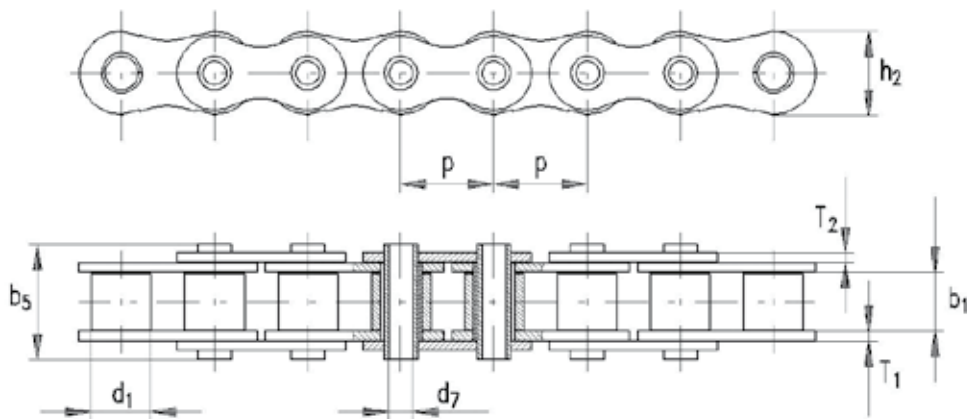


SIMPLEX ROLLER CHAINS WITH HOLLOW PINS

ČZ Standard



MODIFICATION 1.

TRADE MARK ČZ	PITCH	INSIDE WIDTH	ROLLER DIAMETER	HOLE DIAMETER IN THE PIN	PIN LENGTH	INNER PLATE WIDTH	INNER PLATE THICKNESS	OUTER PLATE THICKNESS	WEIGHT	BREAKING LOAD	CONNECT. ELEMENTS	
	p	b1 min.	d1 max.	d7 min.	b5 max.	h2 max.	T1	T2	q	FB min.	A	B
	mm	mm	mm	mm	mm	mm	mm	mm	kg/m	N		
12B-1	19,05	11,68	12,07	4,10	22,30	16,10	1,80	1,80	1,09	21 700	•	•

CONNECTING ELEMENTS

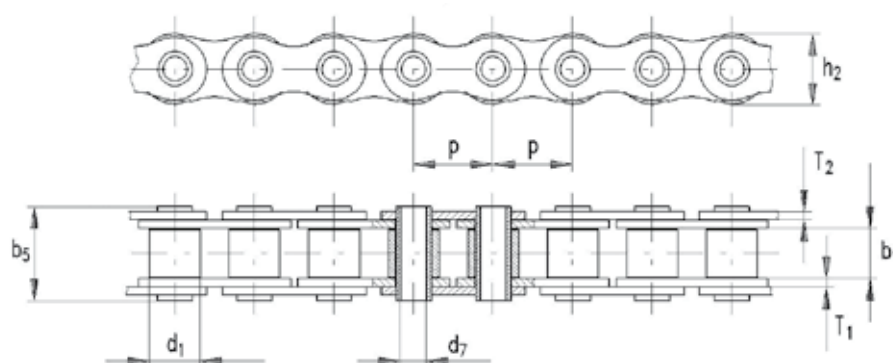


B

A

SIMPLEX ROLLER CHAINS WITH HOLLOW PINS

ČZ Standard



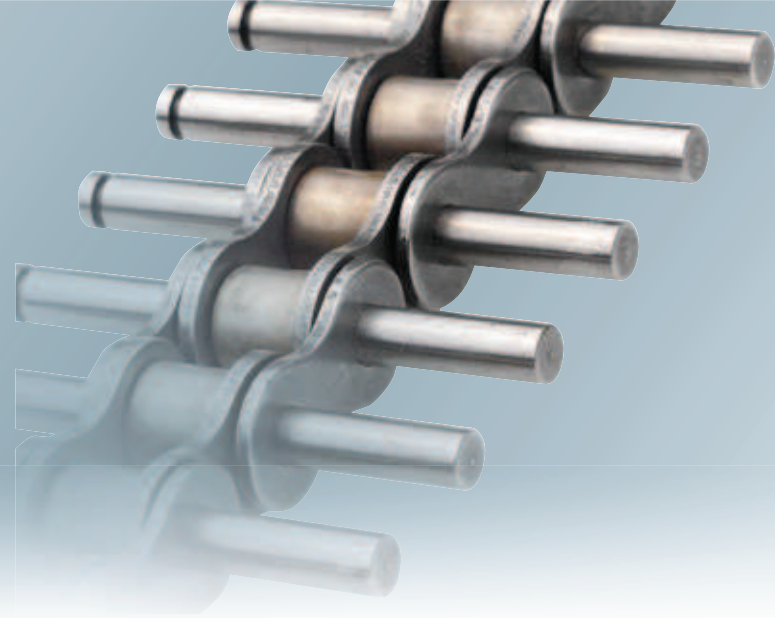
MODIFICATION 2.

TRADE MARK ČZ	PITCH	INSIDE WIDTH	ROLLER DIAMETER	HOLE DIAMETER IN THE PIN	PIN LENGTH	INNER PLATE WIDTH	INNER PLATE THICKNESS	OUTER PLATE THICKNESS	WEIGHT	BREAKING LOAD	CONNECT. ELEMENTS
	p	b1 min.	d1 max.	d7 min.	b5 max.	h2 max.	T1	T2	q	FB min.	A
	mm	mm	mm	mm	mm	mm	mm	mm	kg/m	N	
08 B-1	12,7	7,75	8,51	4,50	15,20	11,80	1,60	1,40	0,55	8 700	•
08 B-1	12,7	7,75	8,51	4,50	16,60	11,80	1,60	1,40	0,57	8 700	•
10 B-1	15,875	9,65	10,16	4,10	20,00	14,50	2,00	2,00	0,90	20 290	•
10 B-1	15,875	9,65	10,16	5,13	20,00	14,50	2,00	2,00	0,87	20 290	•
12 A-1	19,05	12,70	11,91	5,15	24,60	17,70	2,40	2,40	1,24	13 920	•
12 A-1	19,05	12,70	11,91	6,10	24,60	17,70	2,40	2,40	1,24	13 920	•

CONNECTING ELEMENTS

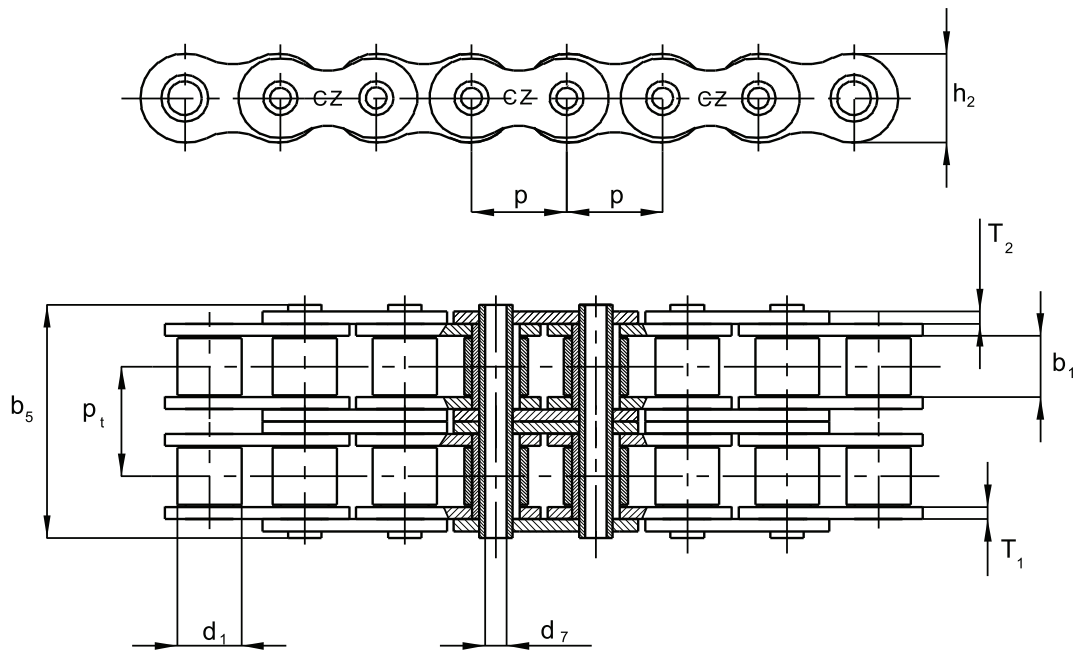


A



DUPLEX ROLLER CHAINS WITH HOLLOW PINS

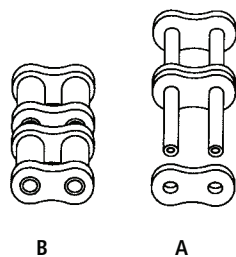
ČZ Standard



MODIFICATION 1.

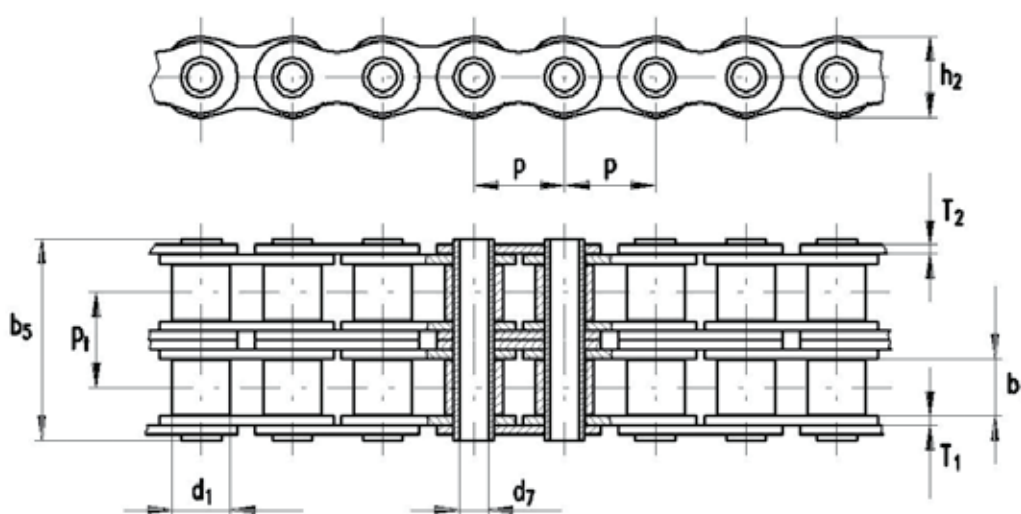
TRADE MARK ČZ	PITCH	INSIDE WIDTH	ROLLER DIAMETER	HOLE DIAMETER IN THE PIN	PIN LENGTH	INNER PLATE WIDTH	INNER PLATE THICKNESS	OUTER PLATE THICKNESS	TRANSVER. PITCH	WEIGHT	BREAKING LOAD	CONNECT. ELEMENTS	
	p	b1 min.	d1 max.	d7 min.	b5 max.	h2 max.	T1	T2	Pt	q	FB min.	B	A
	mm	mm	mm	mm	mm	mm	mm	mm	mm	kg/m	N		
08B-2	12,70	7,75	8,51	3,20	30,90	11,80	1,60	1,40	13,92	1,22	32,655	•	•

CONNECTING ELEMENTS



DUPLEX ROLLER CHAINS WITH HOLLOW PINS

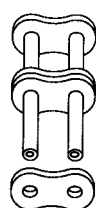
ČZ Standard



MODIFICATION 2.

TRADE MARK ČZ	PITCH	INSIDE WIDTH	ROLLER DIAMETER	HOLE DIAMETER IN THE PIN	PIN LENGHT	INNER PLATE WIDTH	INNER PLATE THICKNESS	OUTER PLATE THICKNESS	TRANSVER. PITCH	WEIGHT	BREAKING LOAD	CONNECT. ELEMENTS
	p	b1 min.	d1 max.	d7 min.	b5 max.	h2 max.	T1	T2	Pt	q	FB min.	A
	mm	mm	mm	mm	mm	mm	mm	mm	mm	kg/m	N	
12 A-2	19,05	12,70	11,91	6,05	48,65	17,70	2,40	2,40	22,78	2,27	25 000	.

CONNECTING ELEMENTS



A