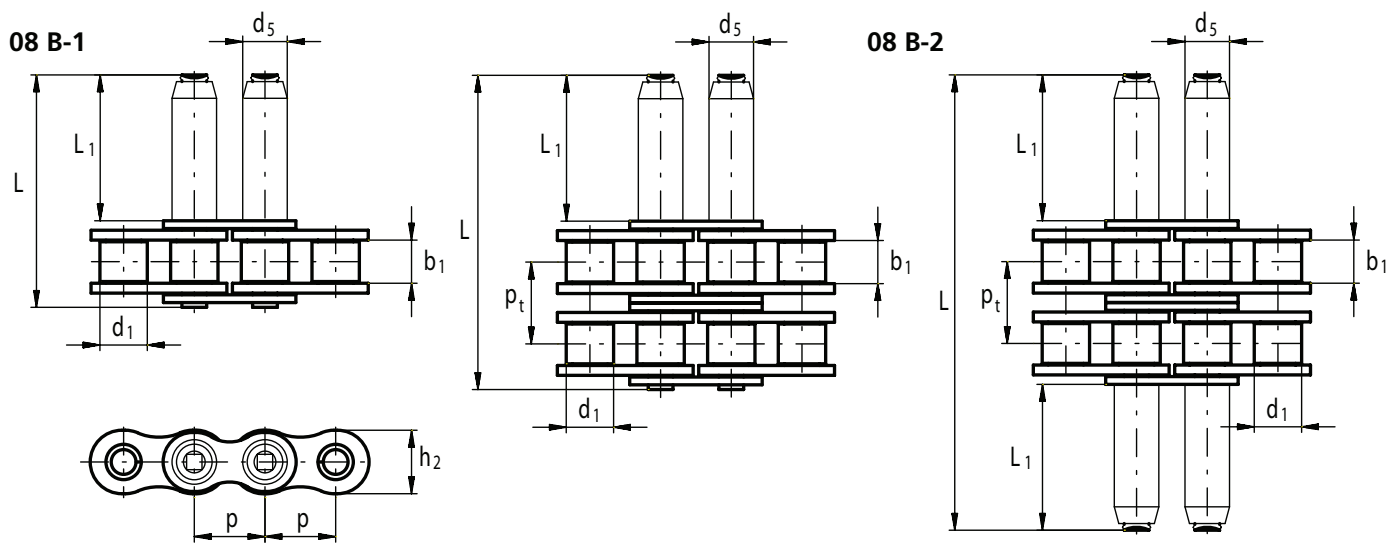
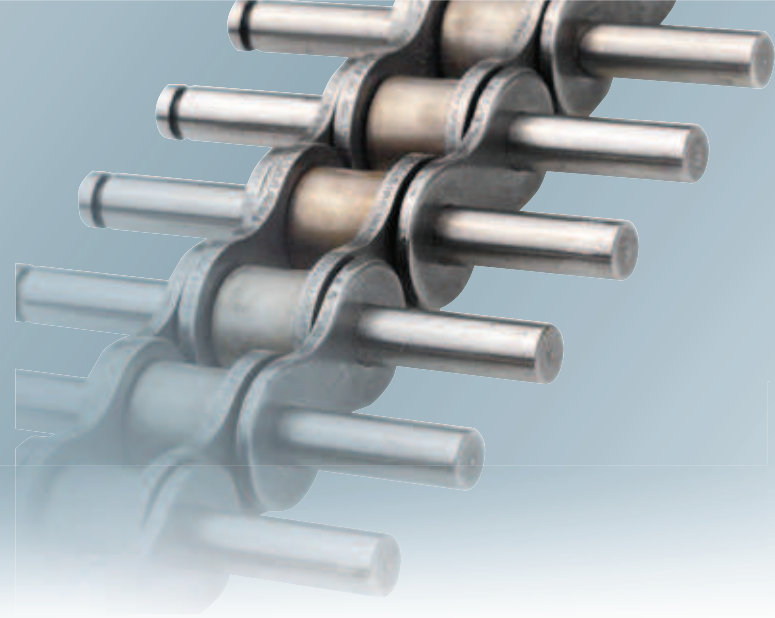


ROLLER CHAINS WITH ROTARY BUSHES

ČZ Standard

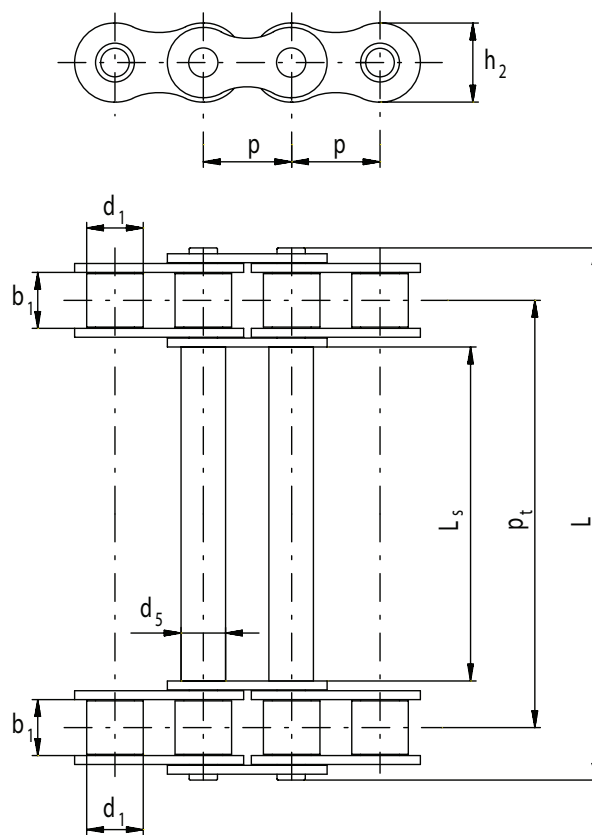


TRADE MARK ČZ	PITCH	INSIDE WIDTH	ROLLER DIAMETER	BUSH DIAMETER	PIN LENGTH	PIN EXTENSION	TRANSVER. PITCH	INNER PLATE WIDTH	BUSHES POSITIONING
	p	b ₁ min.	d ₁ max.	d ₅	L max.	L ₁ max.	p _t	h ₂ max.	
	mm	mm	mm	mm	mm	mm	mm	mm	
08 B-1	12,7	7,75	8,51	8,00	41,80	26,20	-	11,80	one side
08 B-2	12,7	7,75	8,51	8,00	55,65	26,20	13,92	11,80	one side
08 B-2	12,7	7,75	8,51	8,00	80,85	26,20	13,92	11,80	both sides



CONVEYOR CHAIN BELTS

ČZ Standard



TRADE MARK ČZ	PITCH	INSIDE WIDTH	ROLLER DIAMETER	CONNECTING ELEMENT DIAMETER	WIDTH BETWEEN THE CHAINS	TRANSVERSAL PITCH	PIN LENGHT	INNER PLATE WIDTH
	p	b1 min.	d1 max.	d5	Ls	pt	L max.	h2 max.
	mm	mm	mm	mm	mm	mm	mm	mm
08 B	12,7	7,75	8,51	8,50	30,80	45,50	62,00	11,80
10 B1)	15,875	9,65	10,16	8,00	60,00	76,75	99,10	14,50
12 B	19,05	11,68	12,07	7,50	50,50	70,00	92,30	16,10

1) ONLY WITH SPECIAL CONNECTING ELEMENT

The connecting items can be positioned according to individual customer request - must be consulted with producer