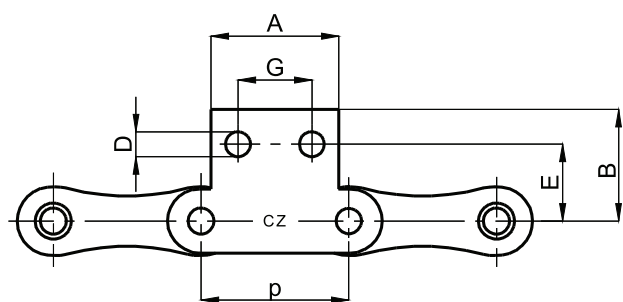
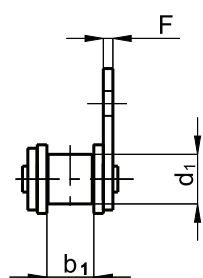


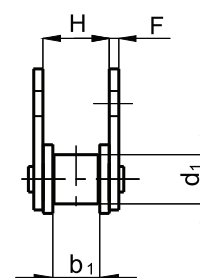
DOUBLE PITCH CHAINS WITH ATTACHMENTS M3, M4



TYPE M3



TYPE M4



Design according to ČSN 02 3316

ČSN	PITCH	INSIDE WIDTH	ROLLER DIAMETER	DIMENSION	DIMENSION	ATTACHMENT HOLE DIAMETER	ATTACHMENT HOLES DISTANCE	DIMENSION	DIMENSION	ATTACHMENT PLATE THICKNESS	WEIGHT	BREAKING LOAD
	p	b1	d1	A	B	D	G	E	H	F	q	FB
		min.	max.									min.
	mm	mm	mm	mm	mm	mm	mm	mm	mm	mm	kg/m	N
C 208 B M3	25,4	7,75	8,51	22,00	19,20	4,30	12,70	13,20	-	1,50	0,72	18 690
C 210 B M3	31,75	9,65	10,16	28,00	25,10	5,30	15,88	17,10	-	1,50	0,63	23 310
C 212 B M3	38,1	11,68	12,07	35,00	30,60	6,40	19,05	21,60	-	1,80	0,85	30 345
C 208 B M4	25,4	7,75	8,51	22,00	19,20	4,30	12,70	13,20	11,50	1,50	0,74	18 690
C 210 B M4	31,75	9,65	10,16	28,00	25,10	5,30	15,88	17,10	13,50	1,50	0,67	23 310
C 212 B M4	38,1	11,68	12,07	35,00	30,60	6,40	19,05	21,60	15,80	1,80	0,90	30 345

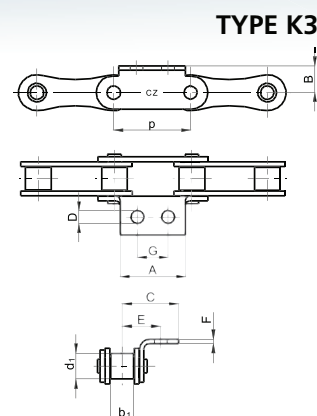
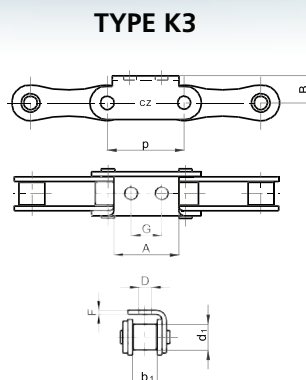
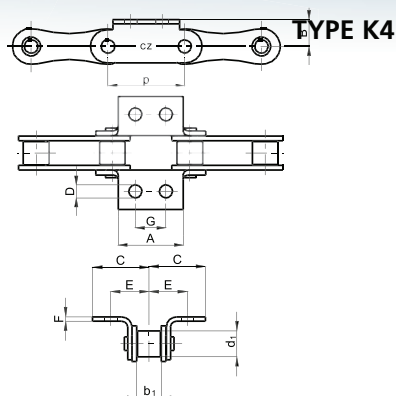
The plates M3, M4 position must be consulted with producer

ČZ Standard

TRADE MARK ČZ	PITCH	INSIDE WIDTH	ROLLER DIAMETER	DIMENSION	DIMENSION	ATTACHMENT HOLE DIAMETER	ATTACHMENT HOLES DISTANCE	DIMENSION	DIMENSION	ATTACHMENT PLATE THICKNESS	WEIGHT	BREAKING LOAD
	p	b1	d1	A	B	D	G	E	H	F	q	FB
		min.	max.									min.
	mm	mm	mm	mm	mm	mm	mm	mm	mm	mm	kg/m	N
208 A M3	25,4	7,85	7,95	22,00	19,20	4,30	12,70	13,20	-	1,50	0,72	17 500
210 A M3	31,75	9,53	10,16	28,00	25,10	5,30	15,88	17,10	-	1,50	0,73	23 310
212 A M3	38,1	12,70	11,91	35,00	30,60	6,40	19,05	21,60	-	1,80	1,02	30 345
208 A M4	25,4	7,85	7,95	22,00	19,20	4,30	12,70	13,20	11,30	1,50	0,74	17 500
210 A M4	31,75	9,53	10,16	28,00	25,10	5,30	15,88	17,10	14,00	1,50	0,77	23 310
212 A M4	38,1	12,70	11,91	35,00	30,60	6,40	19,05	21,60	17,90	1,80	1,07	30 345

The plates M3, M4 position must be consulted with producer

DOUBLE PITCH CHAINS WITH ATTACHMENTS K3, K4



Design according to ČSN 02 3316

ČSN	PITCH	INSIDE WIDTH	ROLLER DIAMETER	DIMENSION	DIMENSION	ATTACHMENT HOLE DIAMETER	ATTACHMENT HOLES DISTANCE	DIMENSION	DIMENSION	ATTACHMENT PLATE THICKNESS	WEIGHT	BREAKING LOAD
	p	b1 min.	d1 max.	A	B	D	G	E	C	F	q	FB min.
	mm	mm	mm	mm	mm	mm	mm	mm	mm	mm	kg/m	N
C 208 B K3	25,4	7,75	8,51	22,00	9,12	4,30	12,70	12,70	18,70	1,50	0,72	18 690
C 210 B K3	31,75	9,65	10,16	28,00	11,13	5,30	15,88	15,875	23,87	1,50	0,63	23 310
C 212 B K3	38,1	11,68	12,07	35,00	14,68	6,40	19,05	19,05	27,05	1,80	0,85	30 345
C 208 B K4	25,4	7,75	8,51	22,00	9,12	4,30	12,70	12,70	18,70	1,50	0,74	18 690
C 210 B K4	31,75	9,65	10,16	28,00	11,13	5,30	15,88	15,875	23,87	1,50	0,67	23 310
C 212 B K4	38,1	11,68	12,07	35,00	14,68	6,40	19,05	19,05	27,05	1,80	0,90	30 345

The plates K3, K4 position must be consulted with producer

ČZ Standard

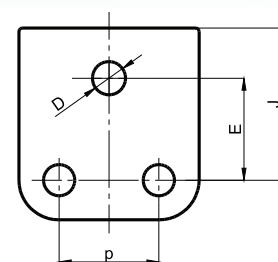
TRADE MARK ČZ	PITCH	INSIDE WIDTH	ROLLER DIAMETER	DIMENSION	DIMENSION	ATTACHMENT HOLE DIAMETER	DIMENSION	DIMENSION	ATTACHMENT HOLES DISTANCE	ATTACHMENT PLATE THICKNESS	WEIGHT	BREAKING LOAD
	p	b1 min.	d1 max.	A	B	D	E	C	G	F	q	FB min.
	mm	mm	mm	mm	mm	mm	mm	mm	mm	mm	kg/m	N
208 A K3	25,4	7,85	7,95	22,00	9,12	4,30	12,60	18,60	12,70	1,50	0,72	17 500
210 A K3	31,75	9,53	10,16	28,00	11,13	5,30	16,10	24,10	15,88	1,50	0,80	23 310
212 A K3	38,1	12,70	11,91	35,00	14,68	6,40	20,70	28,70	19,05	1,80	1,07	30 345
208 A K4	25,4	7,85	7,95	22,00	9,12	4,30	12,60	18,60	12,70	1,50	0,74	17 500
210 A K4	31,75	9,53	10,16	28,00	11,13	5,30	16,10	24,10	15,88	1,50	0,84	23 310
212 A K4	38,1	12,70	11,91	35,00	14,68	6,40	20,70	28,70	19,05	1,80	1,17	30 345

The plates K3, K4 position must be consulted with producer

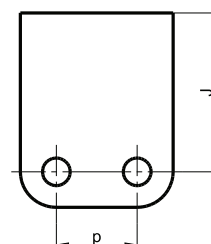
ATTACHMENTS

ČZ Standard

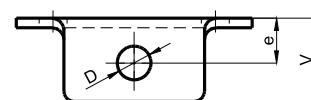
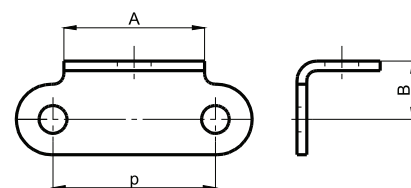
FOR CHAIN	NOMINAL PITCH	DIMENSION	DIMENSION	DIMENSION	PLATE
	p	D	E	J	
08 B	12,7	4,30	17,00	23,00	outer
08 B	12,7	4,30	17,00	25,10	outer
08 B	12,7	6,40	14,30	19,00	outer
10 B	15,875	5,30	16,25	24,25	outer
16 B	25,4	8,20	30,50	39,10	outer



FOR CHAIN	NOMINAL PITCH	DIMENSION	PLATE
	p	J	
06 B	9,525	8,10	outer
08 B	12,7	19,00	outer
08 B	12,7	25,10	outer
10 B	15,875	24,25	outer
10 B	15,875	24,25	connecting
10 B	15,875	33,50	outer
12 B	19,05	14,00	outer
12 B	19,05	14,00	inner
12 B	19,05	14,00	connecting
12 B	19,05	24,30	inner
16 B	25,4	39,10	outer



FOR CHAIN	NOMINAL PITCH	DIMENSION	DIMENSION	DIMENSION	DIMENSION	DIMENSION	PLATE
	p	A	B	D	e	V	
208 B	25,4	22,00	8,50	4,30	8,10	13,60	outer
208 B	25,4	22,00	9,12	4,30	7,00	13,00	outer
208 B	25,4	22,00	9,12	5,30	7,00	13,00	outer
210 B	31,75	28,00	11,13	4,30	9,20	17,20	outer
210 B	31,75	28,00	11,13	5,30	9,20	17,20	outer
212 B	38,10	35,00	14,68	6,40	11,15	19,15	outer



FOR CHAIN	NOMINAL PITCH	DIMENSION	DIMENSION	DIMENSION	DIMENSION	PLATE
	p	A	D	E	J	
208 B	25,4	22,00	4,30	13,70	19,20	outer
208 B	25,4	22,00	4,30	13,20	19,20	outer
208 B	25,4	22,00	5,30	13,20	19,20	outer
212 B	38,1	35,00	6,40	21,90	29,90	outer

